



DPS Melting Pots

Manual



EXPERT CONSULTATION SINCE 1978

imt Zinssmeister OHG

Frauenwaldstraße 11

82383 Hohenpeißenberg

+49 8805 95990-29

info@imt-zinssmeister.de

Revision Date
01.08.24

TABLE OF CONTENTS

1. General Information	2
2. Safety Instructions	2
General Safety Instructions	2
Device Safety Instructions	2
3. Installation	3
Control	3
Setting the Target Value	3
Operation	3
Service	3
4. Safety Instructions – Overtemperature Protection	4
Setting	4
Adjustment	4
Resetting	4
Note	4
5. Device Testing	4
Wiring Diagram	5
Melting Pots with Valve:	6
Melting Pots with Stirrer:	6
6. Disposal	6
7. Declaration of Conformity	7
8. Accessories	8
Hot Dip Wax ISOLOX	8
Variants	8
Compact Extraction Unit ISOCLEAN	8
Product Highlights	8

1. GENERAL INFORMATION

Read these operating instructions thoroughly before use and follow all instructions. All activities with and on the DPS Melting Pot should only be carried out as described in this manual. Keep this manual carefully and pass it on to third parties if necessary.

2. SAFETY INSTRUCTIONS

General Safety Instructions

- ✓ Read these operating instructions before use and follow all instructions.
- ✓ The device must not be used in explosive environments.
- ✓ Defective devices must not be operated and must be repaired immediately by a specialist.
- ✓ Keep the type plate and warning labels readable.
- ✓ Do not make any modifications or conversions to the device. Misuse will void the conformity and warranty of imt Zinssmeister OHG.

Device Safety Instructions

- ✓ Wear safety glasses and heat-resistant gloves.
- ✓ Observe the warning for hot surfaces and electrical voltage.

3. INSTALLATION

Control

- ✓ Place the tank on a firm, level surface. Use the supplied regional power cord.
- ✓ The melting pots are equipped with an illuminated power switch and a digital controller. The controller is pre-configured for optimal control and requires no further adjustments.



Setting the Target Value

- ▶ Increase: Press the far-right button.
- ▶ Decrease: Press the third button from the left.

Operation

1. Fill the melting pot with material and turn on the tank.
2. Set the operating temperature using the digital controller. Follow the manufacturer's recommended temperature.
3. Stir frequently during the initial melting process. Excessive temperature can cause material to burn.
4. Reduce the temperature during operational breaks to save energy and extend the material's lifespan.
5. Always keep the pots fully filled to avoid overheating.
6. Use a lid to save heat and extend the material's lifespan.

Service

imt melting pots require no maintenance other than occasional cleaning. Repairs should only be performed by imt.

4. SAFETY INSTRUCTIONS – OVERTEMPERATURE PROTECTION

Setting

The device is equipped with an adjustable overtemperature safety switch. It is factory set to 185°C but should be adjusted by the end-user according to material properties.

Adjustment

The user is responsible for determining and setting the safety shutdown temperature. A value of +20°C above the working temperature is recommended.

Resetting

Allow the machine to cool or turn the controller back slightly. Press the red button until a “click” is heard.



Example at 175°C

Note

The device should not be operated unattended. imt Zinssmeister cannot be held responsible for the failure of individual components.

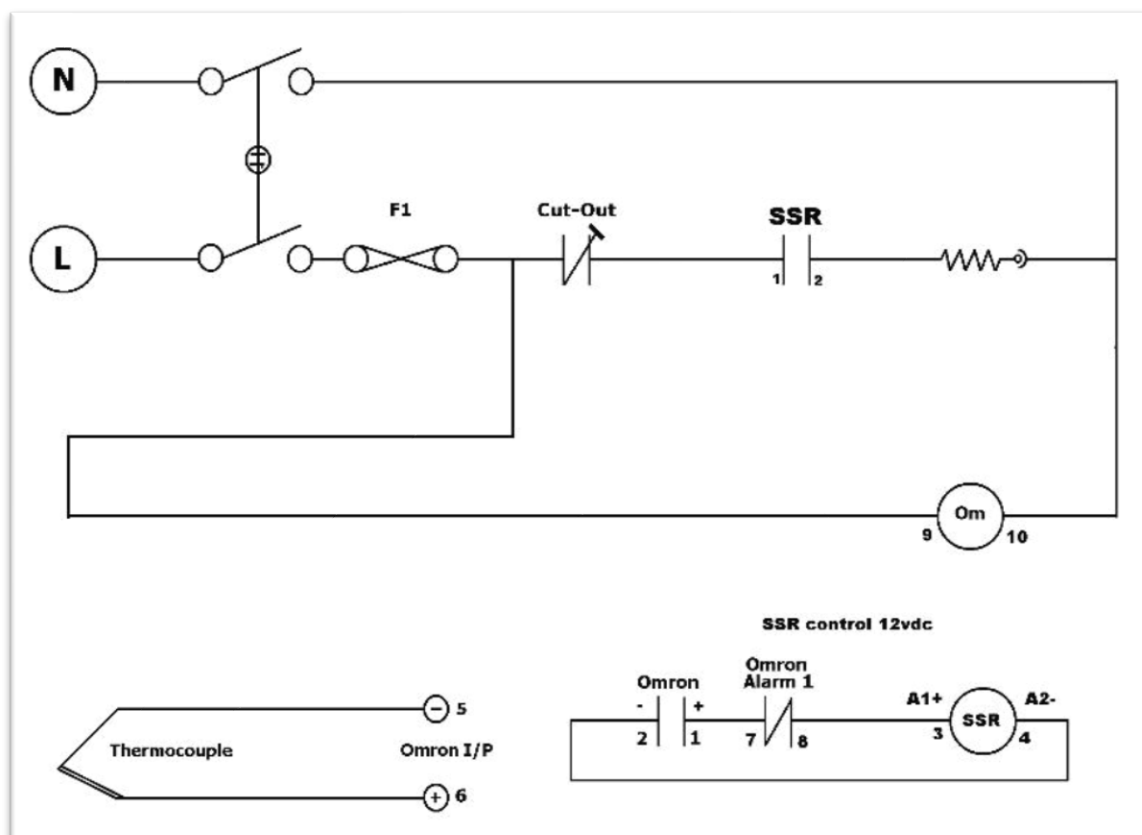
5. DEVICE TESTING

- ▶ During a PAT test (Portable Appliance Test), incorrect readings may occur due to the neon tube in the circuit. If the pot fails a PAT test, proceed as follows:
- ▶ Remove the melting pot from the RCD/ELCB circuit.
- ▶ Run the melting pot at a temperature of 100/120 degrees Celsius for a few hours to dry the heating element.
- ▶ Repeat the PAT test after this drying phase.

Wiring Diagram

The following is the wiring diagram for the DPS melting pot:

- ▶ L and N: Power supply connections.
- ▶ F1: Fuse.
- ▶ Cut-Out: Temperature switch for safety shutdown.
- ▶ SSR: Solid State Relay for controlling the heating power.
- ▶ Thermocouple: Thermocouple for temperature measurement.
- ▶ Omron I/P: Control and alarm contacts of the Omron controller.



**Melting Pots with Valve:**

Set the power controller to "0" and slowly increase the temperature to the desired flow rate.

Melting Pots with Stirrer:

Only turn on the stirrer when the liquid starts to melt and the core mass is loose.

6. DISPOSAL

Environmental regulations must be strictly observed. For the disposal of the dipping mass and the device, local and national regulations must be observed. Electrical and electronic equipment must not be disposed of with household waste. Municipal collection systems offer appropriate disposal options.

7. DECLARATION OF CONFORMITY

The DPS melting pots comply with the following standards when installed and operated according to instructions:

- ▶ The Supply of Machinery (Safety) Regulations 2006/42/EC
- ▶ B.S.I. Regulations: B.S. 7671:2018 "Requirements for Electrical Installations."
- ▶ Low Voltage Directive 2014/35/EC (industrial equipment)
- ▶ European standards for electromagnetic compatibility (Directive 2014/30/EC)
- ▶ EU Directive 2001/5/65/EU RoHS

Responsible Person:



Martin Johnson

8. ACCESSORIES



Hot Dip Wax ISOLOX

- ✓ Removable Storage & Transport Protection
- ✓ High-quality sensitive precision parts or tools can be packed absolutely airtight and gapless against corrosion and mechanical damage as storage or transport protection with the thermoplastic protective dip mass ISOLOX.
- ✓ Even accidental double calibrations of measuring instruments are avoided with ISOLOX. Within seconds, a crystal-clear airtight protective coating is created with this simple hot dip process, the layer thickness of which can be freely chosen.

Variants

- ▶ ISOLOX Colorless
- ▶ ISOLOX Colored (red, green, blue)
- ▶ ISOLOX Plus (without oil film after peeling off)



Compact Extraction Unit ISOCLEAN

- ✓ The professional compact extraction ISOCLEAN is the ideal solution to ensure healthy air in the workplace. Especially when dipping oil-coated workpieces or parts in insulated dip baths like our ISOLAT, which may contain melting dip mass (e.g., ISOLOX), vapors or smoke can develop.
- ✓ With a powerful, quiet, and brushless motor, it ensures continuous extraction with an impressive maximum air volume of 235 m³ per hour.
- ✓ This compact extraction is specially designed for professional use. All settings can be made quickly and easily via the clear control panel, making handling particularly simple.

Product Highlights

- ▶ Cleaning performance: 235 m³/h
- ▶ 3-stage filter: pre-filter, fine dust filter, activated carbon odor filter
- ▶ Includes connection nozzle and hose
- ▶ Filter change indicator